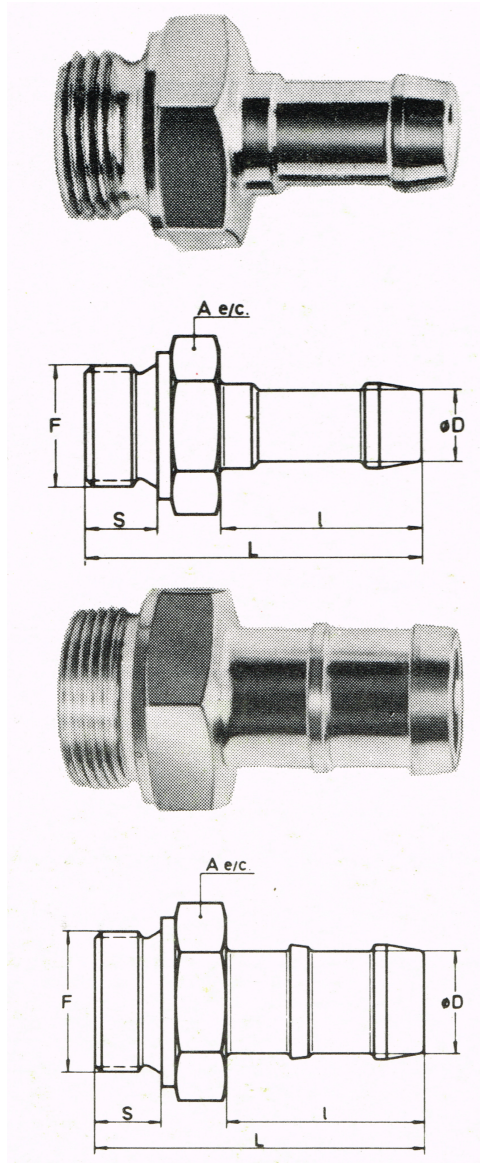


**CABOS ROSCADOS**


| REFERENCIA     | D mm | F: Rosca GW | S mm | I mm | L mm | A e/c |
|----------------|------|-------------|------|------|------|-------|
| C1. 1/8". 4    | 4    | 1/8"        | 8    | 28   | 44   | 14    |
| C1. 1/8". 6    | 6    | 1/8"        | 8    | 28   | 44   | 14    |
| C1. 1/4". 6    | 6    | 1/4"        | 10   | 28   | 46   | 17    |
| C1. 1/8". 8    | 8    | 1/8"        | 8    | 28   | 44   | 14    |
| C1. 1/4". 8    | 8    | 1/4"        | 10   | 28   | 46   | 17    |
| C1. 3/8". 8    | 8    | 3/8"        | 10   | 28   | 46,5 | 22    |
| C1. 1/8". 10   | 10   | 1/8"        | 8    | 28   | 44   | 14    |
| C1. 1/4". 10   | 10   | 1/4"        | 10   | 28   | 46   | 17    |
| C1. 3/8". 10   | 10   | 3/8"        | 10   | 28   | 46,5 | 22    |
| C1. 1/2". 10   | 10   | 1/2"        | 12   | 28   | 51,5 | 27    |
| C1. 1/4". 13   | 13   | 1/4"        | 10   | 28   | 46   | 17    |
| C1. 3/8". 13   | 13   | 3/8"        | 10   | 28   | 46,5 | 22    |
| C1. 1/2". 13   | 13   | 1/2"        | 12   | 28   | 51,5 | 27    |
| C2. 3/8". 16   | 16   | 3/8"        | 10   | 53   | 71,5 | 22    |
| C2. 1/2". 16   | 16   | 1/2"        | 12   | 53   | 76,5 | 27    |
| C2. 3/4". 16   | 16   | 3/4"        | 16   | 53   | 82,5 | 32    |
| C2. 3/8". 19   | 19   | 3/8"        | 10   | 53   | 71,5 | 22    |
| C2. 1/2". 19   | 19   | 1/2"        | 12   | 53   | 76,5 | 27    |
| C2. 3/4". 19   | 19   | 3/4"        | 16   | 53   | 82,5 | 32    |
| C2. 1". 19     | 19   | 1"          | 16   | 53   | 84,5 | 41    |
| C2. 3/4". 25   | 25   | 3/4"        | 16   | 53   | 82,5 | 32    |
| C2. 1". 25     | 25   | 1"          | 16   | 53   | 84,5 | 41    |
| C2. 1.1/4". 25 | 25   | 1.1/4"      | 16   | 53   | 84,5 | 50    |
| C2. 1". 32     | 32   | 1"          | 16   | 53   | 84,5 | 41    |
| C2. 1.1/4". 32 | 32   | 1.1/4"      | 16   | 53   | 84,5 | 50    |